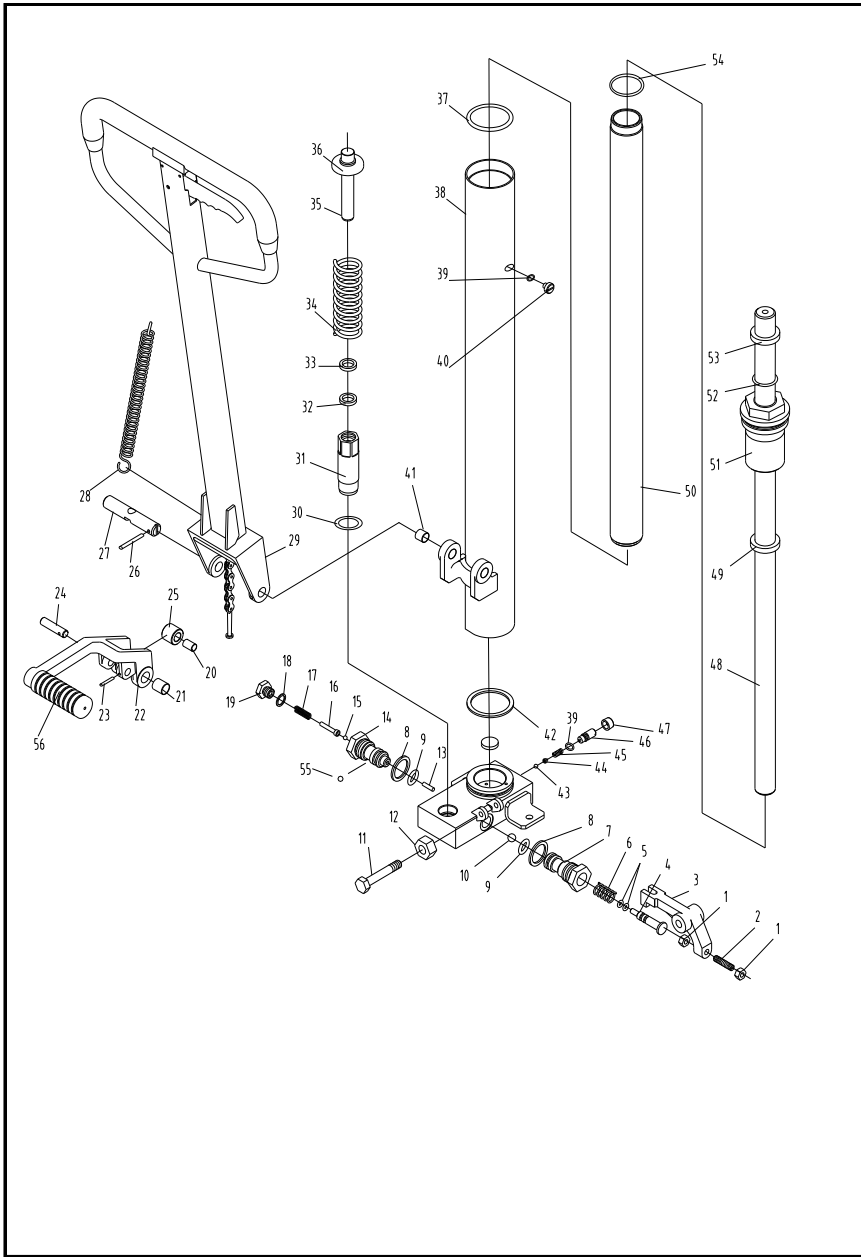
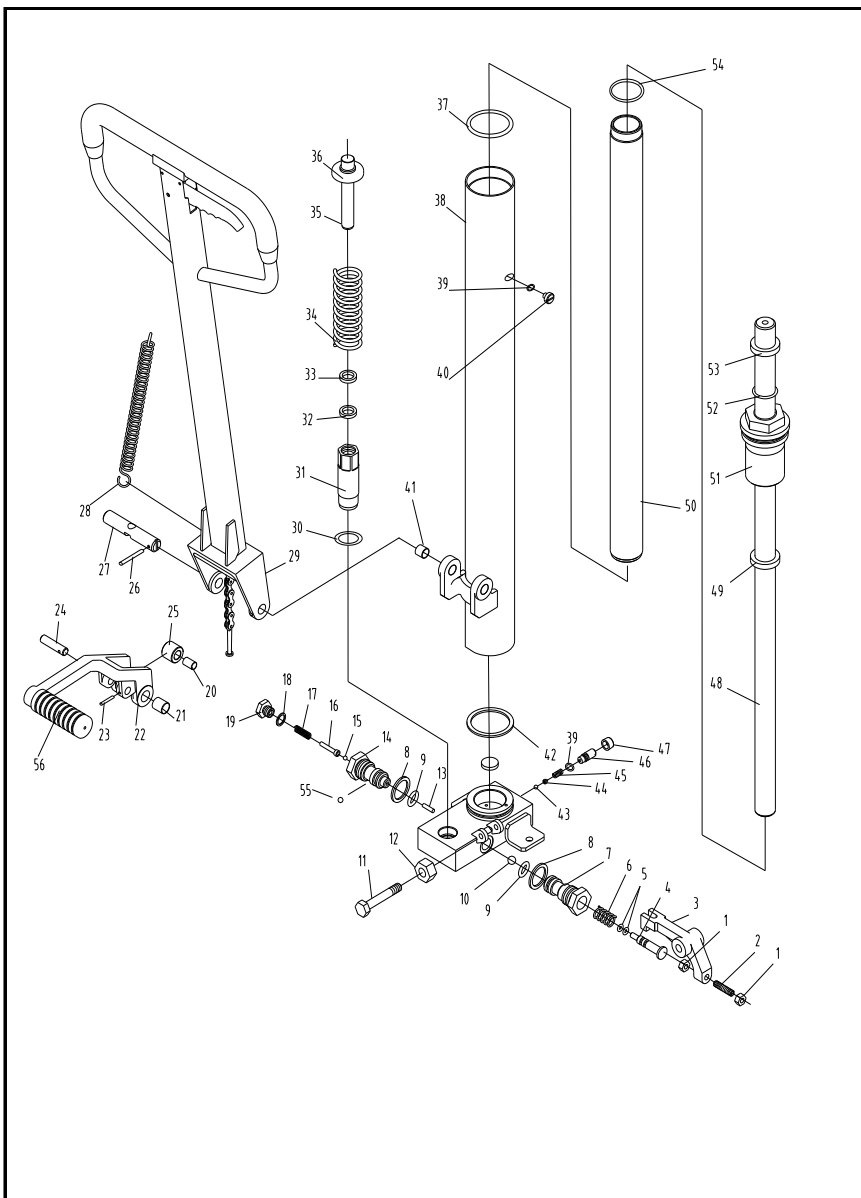


1.3 Pump assembly



No.	Drawing No.	Description	Qty.	Stock code	Remark
1	GB6170-86	Hux nut M6	2	0908030012	
2	GB78-85	Inner hux lock nut M6×30	1	0908170014	
3	SDJA500.8.12	Lever plate	1	0860010007	
4	NF.2-24	Firing pin	1	0901090007	
5	GB3452.1-82	O-ring Ø4.87×1.8	2	0902050003	
6	CN.2-25	Firing pin spring	1	0903040003	
7	NF.2-23	Firing pin valve seat	1	0901100003	
8	JB892-77	Combined washer Ø20	2	0902010009	
9	GB3452.1-82	O-ring Ø12.5×2.65	2	0902050028	
10	GB308-77	Steel ball Ø8	1	0907010014	
11	GB5780-86	Bolt M8×50	1	0908420039	
12	GB1337-77	Nut M8	1	0908030013	
13	GB119-86	Pin Ø3×16	1	0908470003	
14	NF.2-18	Valve seat 500	1	0901110007	
15	GB308-77	Steel ball Ø5	1	0907010010	
16	NF.2-19	Pin	1	0901150010	
17	NF.2-20	Valve seat spring	1	0903080002	
18	GB892-77	Combined washer Ø10	1	0902010004	
19	NF.2-17	Bolt	1	0901120036	
20	SF1	Combined bushing 1220	1	0907040011	
21	SF1	Combined bushing 2015	2	0907040023	
22	SDJA500.08.03-00	Compressed frame	1	0860010014	
23	GB879.86	Spring pin Ø4×25	1	0908500014	
24	CN.2-14	Axle with a hole	1	0906050001	
25	CN.2-13	Pinch roller	1	0909120016	
26	GB879.86	Spring pin Ø4×35	1	0908500017	
27	SDJA500.08.10	Compressed frame axle	1	0906170003	
28	SDJA500.08.09	Tension spring	1	0903110001	
29	SDJA500.08.04-00	Handle assembly	1	1133600002	
30	GB3452.1-82	O-ring Ø22.4×2.65	1	0902050046	
31	SP.8-11	Pump cylinder Ø18	1	0901020020	for 0.5t
		Pump cylinder Ø16	1	0901020022	for 1t
		Pump cylinder Ø14	1	0901020021	for 1.5t

1.3 Pump assembly



No.	Drawing No.	Description	Qty.	Stock code	Remark
32	UHS18	UHS seal ringØ18	1	0902030005	for 1.5t
	UHS16	UHS seal ringØ16	1	0902030004	for 1.5t
	UHS14	UHS seal ringØ14	1	0902030002	for 1.5t
33	DHS18	DHS dust proof ringØ18	1	0902040007	for 0.5t
	DHS16	DHS dust proof ringØ16	1	0902040006	for 1.0t
	DHS14	DHS dust proof ringØ14	1	0902040005	for 1.5t
34	SP.8-09	Large spring	1	0903130009	
35	SDJA1000.08.01	Pump coreØ18 (0.5T)	1	0901030019	for 0.5t
	SDJA1000-08-01	Pump coreØ16(1.0T)	1	0901030020	for 10t
	SDJA1500-04-01	Pump coreØ14(1.5T)	1	0901030018	for 1.5t
36	SDJA500.08.02	Large spring seat	1	0909060002	
37	GB3452.1-82	O-ringØ65x3.55	1	0902050108	
38	SDJA500.08.07-00	Cylinder sleeve	1		for 1.6m
	SDJ1000-2.5-05-05-00		1		for 2.5m
	SDJ1030-04-03-00		1		for 3.0m
39	GB3452.1-82	O-ringØ7.5x2.65	2	0902050011	
40	SDJA500.08.13.00	Oil plug	1		
41	SF1	Combined washer2012	2	0907040029	
42	SP.8-12	Rectangular seal ring	1	0902070004	
43	GB308-77	Steel ballØ6.5	1	0907010012	
44	SP.8-18	Safty valve seat	1	0901110020	
45	SP.8-17	Safty valve spring	1	0903130005	
46	SPIII.8-16	Safety valve adjusting screw	1	0901120010	
47	SP.8-15	Safety valve boot	1	0901150012	
48	SDJA500.08.06	Piston rod	1	0901010081	for 1.6m
	SDJ1000-2.5-05-04		1	0901010083	for 2.5m
	SDJ1030-04-02		1	0901010085	for 3.0m
49	UHS	UHS seal ringØ31.5	1	0902030021	
50	SDJA500.08.05	Oil cylinder	1	1113600006	for 1.6m
	SDJ1000-2.5-05-03		1	1113600004	for 2.5m
	SDJ1030-04-01		1	1113600005	for 3.0m
51	SDJA500.08.08	Top cap	1	1109600001	
52	GB3452.1-82	O-ringØ31.5x3.55	1	0902050059	
53	DHS	DHS dust proof ringØ31.5	1	0902040018	
54	GB3452.1-82	O-ringØ47.5x3.55	1	0908240097	
55	GB308-77	BallØ4	1	0907010007	
56	SDJA500-08-03-03	Rubber sheath	1	0904100002	

