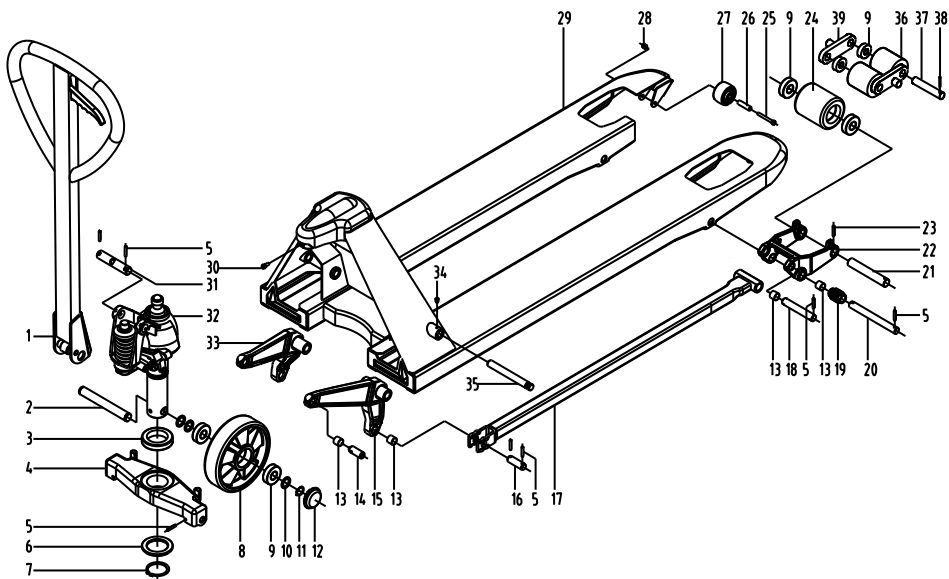
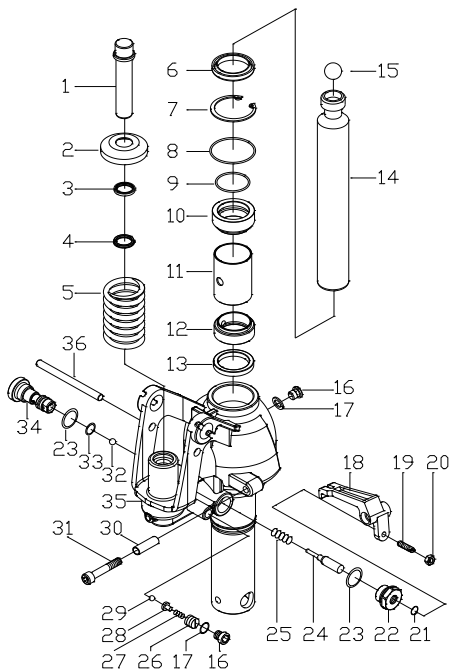


WA final assembly



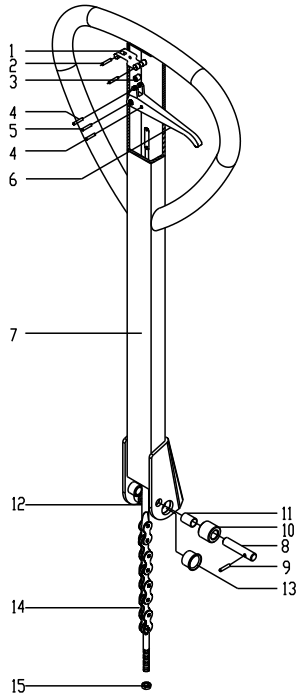
No.	Code No	Name	Qty	No.	Code No	Name	Qty
1	WA.3-00	Handle assembly	1	21	AF.7-02	Shaft 20X122	2
2	DB.4-01	Front wheel shaft	1	22	WA.5-01	Wheel frame	1
3	KC.4-00	Plane bearing unit	1	23	GB879-86	Spring pin 5X32	2
4	WA-04	Supporting base	1	24	AF.7-01	Fork wheel	2
5	GB879-86	Spring pin 5X28	8	25	GB5782-86	Hexagon bolt M6X50	2
6	WA-03	Bearing gasket	1	26	AF-08	Pipe sleeve	2
7	GB894.1-86	Circlip for shaft 50	1	27	AF-09	Wheel	2
8	DF-09	Wheel	2	28	GB889.1	Locknut M6	2
9	GB276-94	Bearing 6204-2RS	8/12	29	WA.4-00	Truck frame assembly	1
10	DF.5-01B	Bushing 20X28X2	6	30	GB/T70.1	Inner hex. screw M6X12	1
11	GB894.1-86	Circlip for shaft 20	2	31	WA-01	Shaft 20X100	1
12	DF-10	Dust-proof cover	2	32	WA.2-00	Oil pump assembly	1
13	CSB10	Bushing 16X18X15	16	33	WA.6-00	Rock arm unit, left	1
14	BF.4-00	Truck frame unit	1	34	GB/T79	Set screw M8X10	2
15	WA.7-00	Rock arm unit, right	1	35	WA-06	Pin roll 16X140	2
16	WA-02	Pin roll 16X42	2	36	AF.7-01B	Fork wheel	4
17	WA.5.1-00	Pitman unit	2	37	SYBC.5-09	Axle 20X95	4
18	DB.3.3-01	Shaft 16X100	2	38	GB879-86	Spring pin 5X32	8
19	WA-08	Roller housing	4	39	AF.7-04	Bracket plate	4
20	WA-07	Shaft 16X158	2				

WA pump assembly



No.	Code No	Name	Qty	No.	Code No	Name	Qty
1	BF.2-1a	Pump core 18X101	1	19	GB71-1985	Lock screw M6X25	1
2	KC.2-05	Spring cap	1	20	GB/T6170-2000	Hexagon nut M6	1
3	DH18	Dust ring 18	1	21	GB3452.1-82	O ring 10X2.65	1
4	UHS18	Seal ring 18	1	22	WA.2-05	Firing pin seat	1
5	BF.2-05	Spring 5.5X48X110	1	23	JB982-77	Combined washer 20	2
6		Dust ring 35X47	1	24	EF.2-03	Firing pin	1
7	GB893.1-86	Circlip for hole 47	1	25	SYBC.2-06	Spring 1.2X9.5X22	1
8	GB3452.1-82	O ring 47.5X3.55	1	26	CN.2-29	Screw M10X1	1
9	GB3452.1-82	O ring 35X3.55	1	27	CN.2-28	Spring 2X8X16	1
10	WA.2-01	Guiding cover	1	28	CN.2-26	Ball seat	1
11	WA.2-03	Pipe sleeve	1	29	GB308-77	Steel ball 5	1
12	WA.2-04	Guiding ring	1	30	WA.2-07	Shaft	1
13	UHS35	Seal ring 35	1	31	GB/T70.1-2000	Inner hex screw M8X45	1
14	BF.2B-2	Piston rod 35X263	1	32	GB308-77	Steel ball 7	1
15	GB308-77	Steel ball 19.05	1	33	GB3452.1-82	O ring 10X2.65	1
16	CN.2-17	Plug screw M10X1	2	34	KO3-00	Valve III	1
17	JB982-77	Combined washer 10	2	35	WA.2.1-00	Base unit	1
18	WA.2-06	Lever board	1	36	AM-19	Lock rod	1

WA Handle assembly



No.	Code No	Name	Qty
1	DF.1-01a	Locating plate	1
2	GB879-86	Spring pin 4X30	2
3	DF.1-02	Roller	1
4	GB879-86	Spring pin 4X20	2
5	GB879-86	Spring pin 6X30	1
6	DF.1-03	Hand knob	1
7	WA.3.1-00	Handle body	1
8	DF I .2-04	Cylindrical pin	1
9	GB879-86	Spring pin 3X20	1
10	CN.2-13	Pressure wheel	1
11	CSB10	Bushing 1220	1
12	DF.1.2-00	Pull rod unit	1
13	SF-1	Bushing SF-1F2015	2
14		Chain C-6-9-04A	1
15	GB889-86	Locknut M5	1